

USEFUL INFORMATION

If the water comes out cold, have the following checked:

- the presence of voltage on the power terminal block (M Fig. 7);
- the circuit board;
- the heating parts of the heating element;
- inspect the bypass pipe (X Fig. 7);
- the sensor holder rods (K Fig. 7).

If the water comes out boiling hot (steam in the taps)

Disconnect the appliance from the electricity supply and have the following checked:

- the circuit board;
- the amount of scale on the boiler and components;
- the sensor holder rods (K Fig. 7).

If the hot water delivery is insufficient:

Have the following checked:

- the pressure of the water mains;
- the condition of the deflector on the cold water intake pipe;
- the condition of the hot water pipe;
- the electrical components.

Water trickling from the pressure safety device

During the heating phase, some water may trickle from the tap. This is normal. To prevent the water trickling, a suitable expansion vessel must be installed on the flow system. If the trickling continues even after the heating phase, have the following checked:

- device calibration;
- the pressure of the water mains.

Caution: Never obstruct the appliance outlet!

NEVER ATTEMPT TO REPAIR THE APPLIANCE YOURSELF - ALWAYS HAVE THIS DONE BY A QUALIFIED TECHNICIAN.

The indicated data and specifications are not binding; the manufacturer reserves the right to modify them at his own discretion notification or replacement.

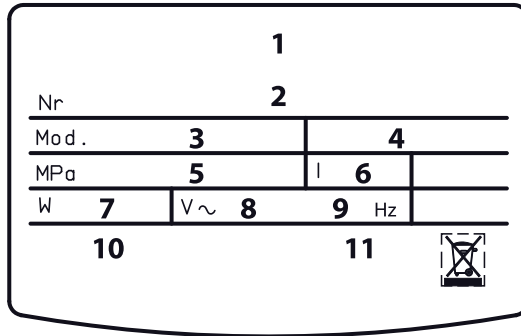
This product is in conformity with REACH regulations.

 **This product conforms to Directive WEEE 2012/19/EU.**

The symbol of the crossed waste paper basket on the appliance and its packaging indicates that the product must be scrapped separately from other waste at the end of its service life. The user must therefore hand the equipment over to a sorted waste disposal facility for electro-technical and electronic equipment at the end of its service life.

Alternatively, he may return the equipment to the retailer at the time of purchase of a new equivalent type of appliance. Electronic equipment of size less than 25 cm can be handed over to any electronics equipment retailer whose sales area is at least 400 m² for disposal free of charge and without any obligation to purchase new product.

Идентификационная табличка
Ідентифікаційна табличка
Data plate



1. Торговая марка
2. Серийный номер
3. Модель
4. Материал бака
Fe+Enamel – сталь с эмалевым покрытием
Inox – нержавеющей сталь
5. Максимальное давление
6. Объем
7. Номинальная мощность
8. Напряжение
9. Частота тока
10. Страна-изготовитель
11. Класс защиты

1. Торгова марка
2. Серійний номер
3. Модель
4. Матеріал бака
Fe+Enamel - сталь з емалевим покриттям
Inox - нержавіюча сталь
5. Максимальний тиск
6. Обсяг
7. Номінальна потужність
8. Напруга
9. Частота струму
10. Країна-виробник
11. Клас захисту

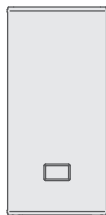
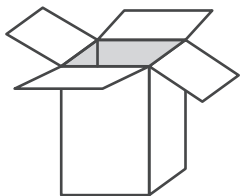
1. Brand
2. Serial Number
3. Model
4. Tank material
Fe+Enamel - enamel steel
Inox - stainless steel
5. Maximum pressure
6. Volume
7. Rated power
8. Voltage
9. Current frequency
10. Country of origin
11. Protection rating

Серийный номер
Серійний номер
Serial number

0000000 00 000000 00000000



Рекомендации по монтажу накопительного электрического водонагревателя
Рекомендації по монтажу накопичувального електричного водонагрівача
Recommendation on the storage water heater installation



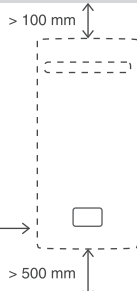
В комплекте инструкция
и предохранительный клапан
В комплекті інструкція та запобіжний
клапан
Manual and safety valve are included

II

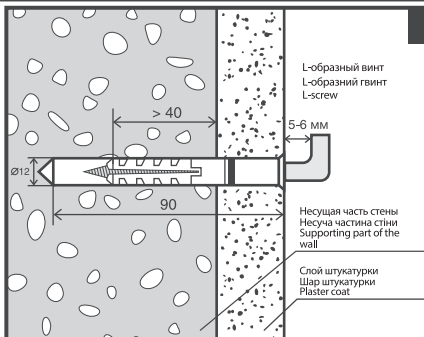
Выберите место для установки
как можно ближе к точке
водоразбора

Виберіть місце для установки як
найближче до найближче до точки
водорозбору

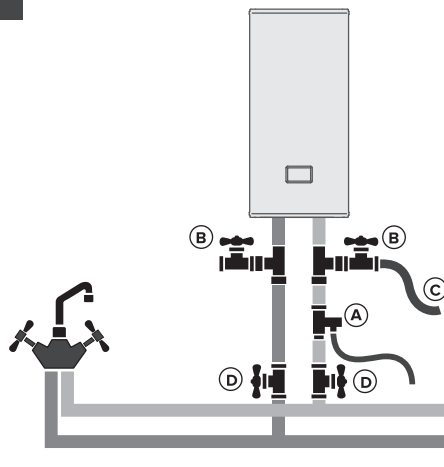
Choose installation location as close
as possible to the point of water use



III



IV

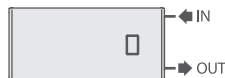
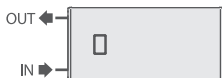


- A** Предохранительный клапан
Запобіжний клапан
Safety valve
- B** Тройник с запорным краном
Трійник з запірним краном
Tee with stopcock
- C** Сливной шланг
Зливний шланг
Drain hose
- D** Запорный кран
Запірний кран
Stopcock

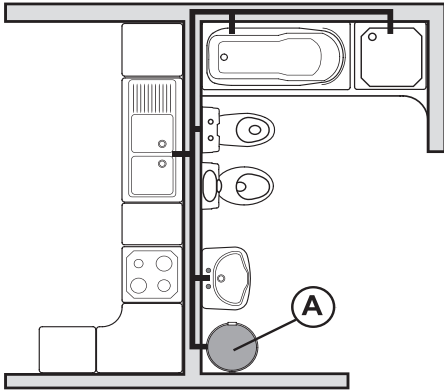
ХОЛОДНАЯ ВОДА | ХОЛОДНА ВОДА | COLD WATER

ГОРЯЧАЯ ВОДА | ГОРЯЧА ВОДА | HOT WATER

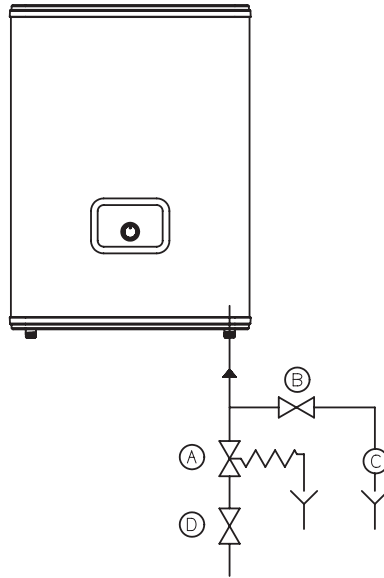
V



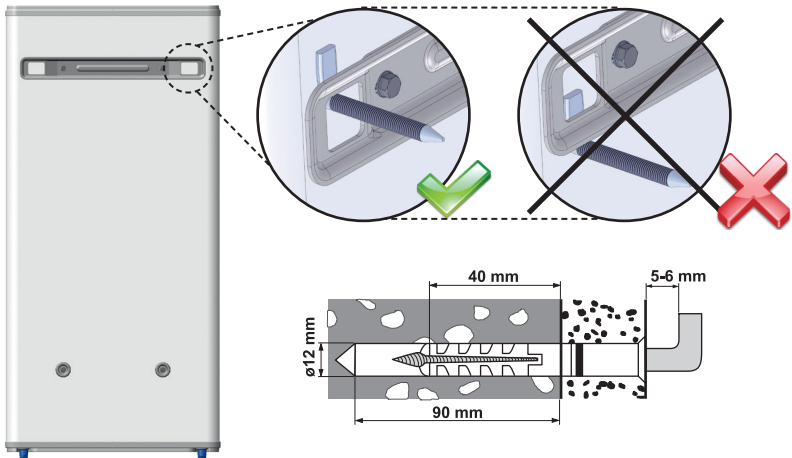
1



2



3



4A



4B



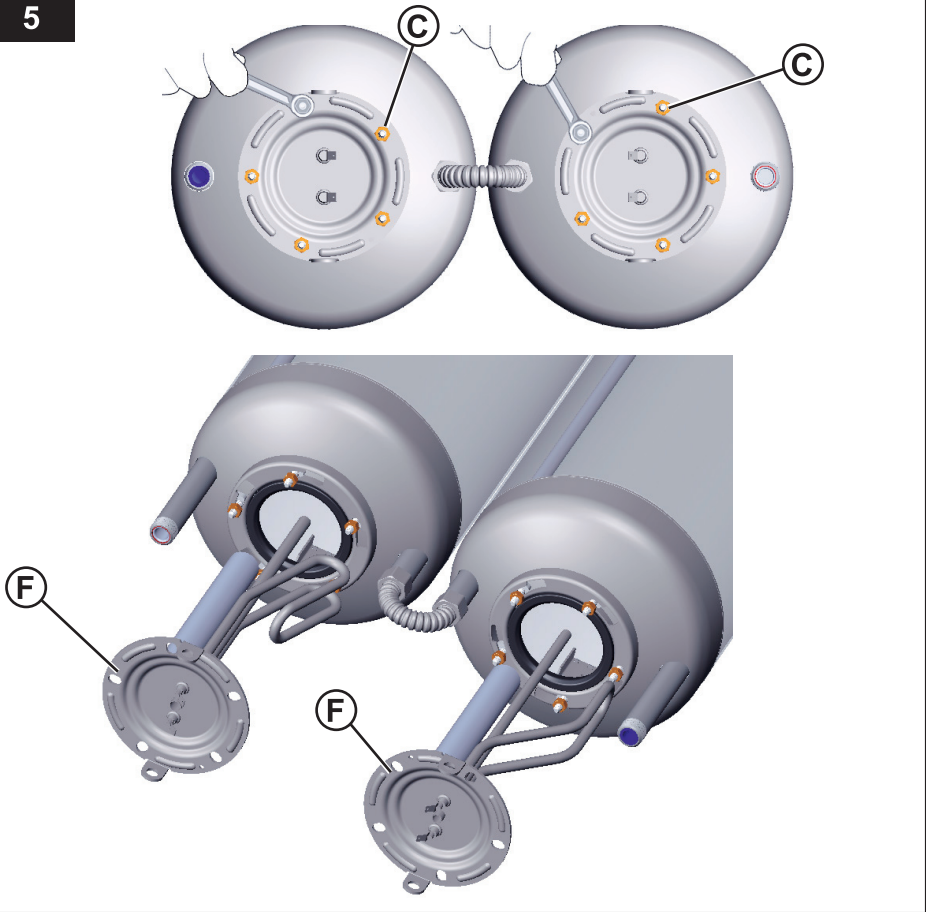
4C



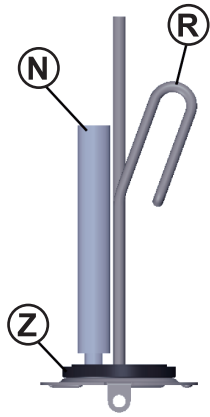
4D



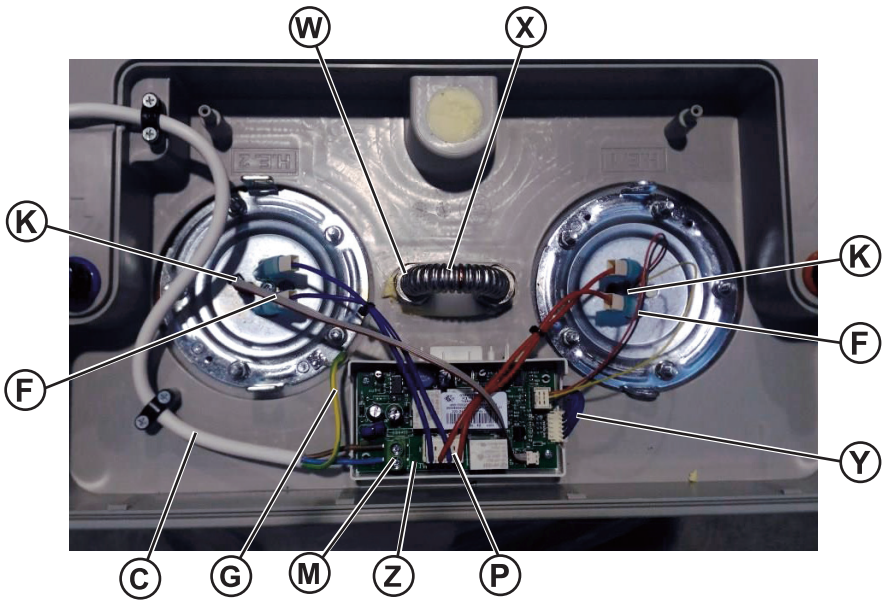
5



6



7



8

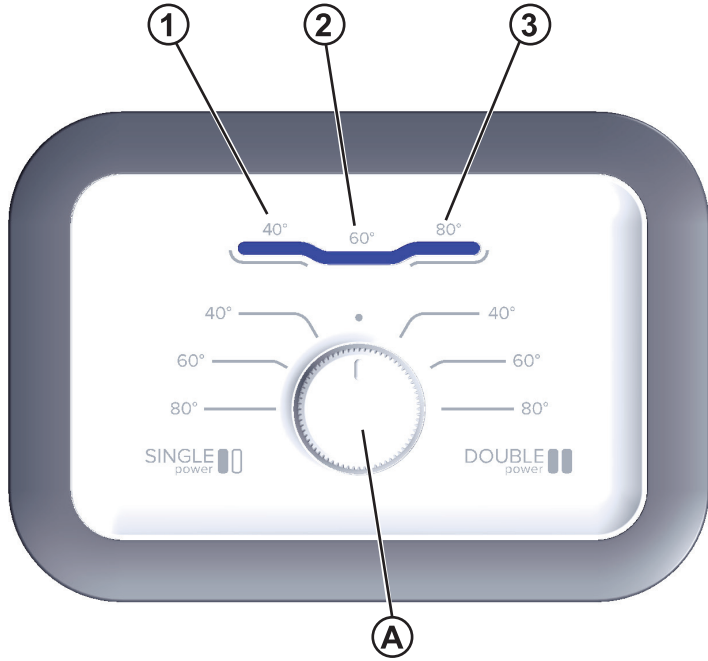
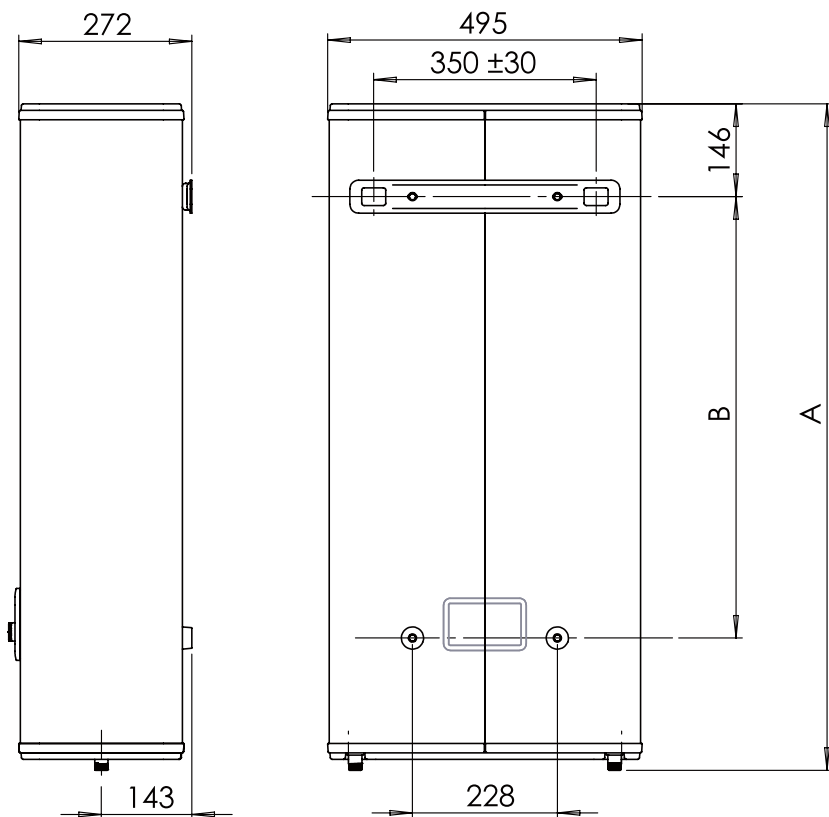
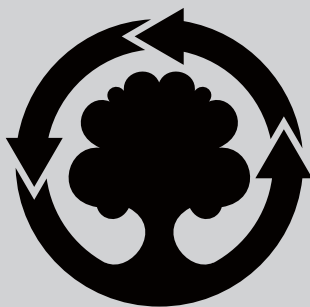


Схема установки - Схема установки - Installation scheme



Model	A	B
FLAT 30	524	165
FLAT 50	759	405
FLAT 80	1049	695
FLAT 100	1234	880



WE MAKE USE OF RECYCLED PAPER

ООО «Аристон Термо Русь»

Россия, 188676, Ленинградская область,
Всеволожский район, г. Всеволожск,
Производственная зона г. Всеволожска,
ул. Индустриальная, д. № 9, лит. А
Тел. + 7 (812) 332 81 00
Горячая линия Аристон +7 (495) 777 33 00
e-mail: service.ru@aristonthermo.com
www.ariston.com/ru

ТОВ «АРІСТОН ТЕРМО УКРАЇНА»

Україна, 03680, Київ,
вул. Боженко, 86Е, корп.6
Тел. +380 44 496 25 18
e-mail: info.ua@aristonthermo.com
www.ariston.com/ua

Ariston Thermo S.p.A.

Viale A. Merloni, 45
60044 Fabriano (AN)
Tel. 0732.6011
Telefax 0732.602331
Telex 560160
www.aristonthermo.it
info.it@aristonthermo.com